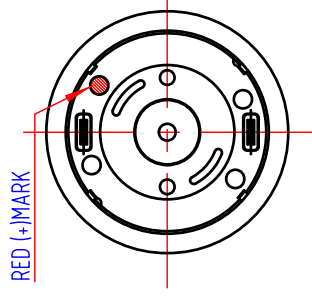
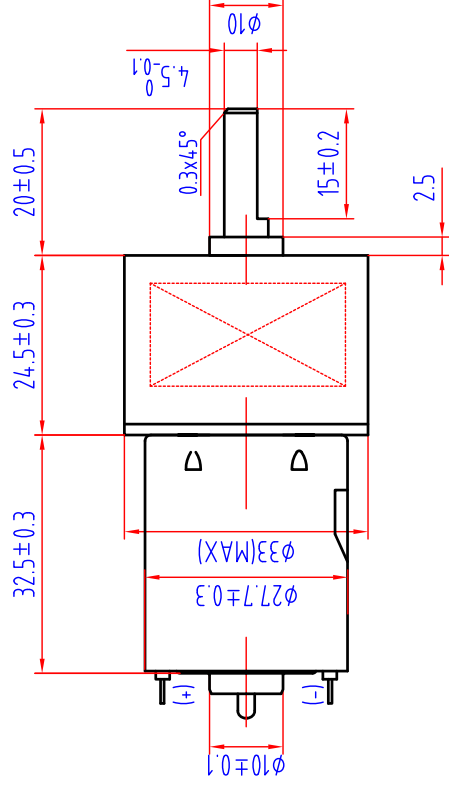
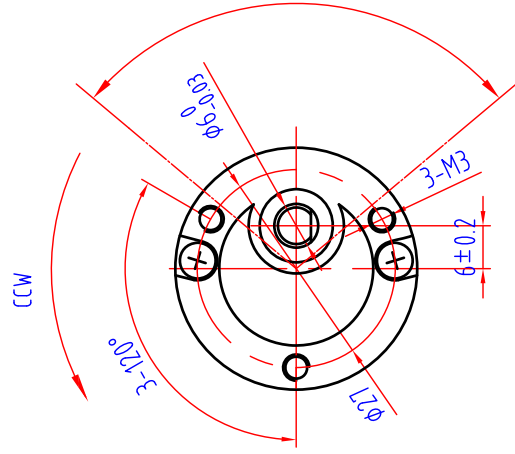


33G365



- 1 Rated voltage : 12VDC
  2. No leading current :  $\leq 150$  mA
  3. No leading speed :  $78\text{rpm} \pm 10\%$
  4. Torque :  $4.0\text{Kgf.cm}$
  5. leading current :  $\leq 600$  mA
  6. temperature rise :  $\leq 65\text{K}$ .
  7.  $\leq 50\text{dB}$ , Test position: 30 cm from shaft end
- Back ground noise to be 30dB max.



Robosoft Systems

Metal Gear Motor

2009/6/25

0

www.robosoftsystems.co.in

Dim	mm
	1:1

33G365